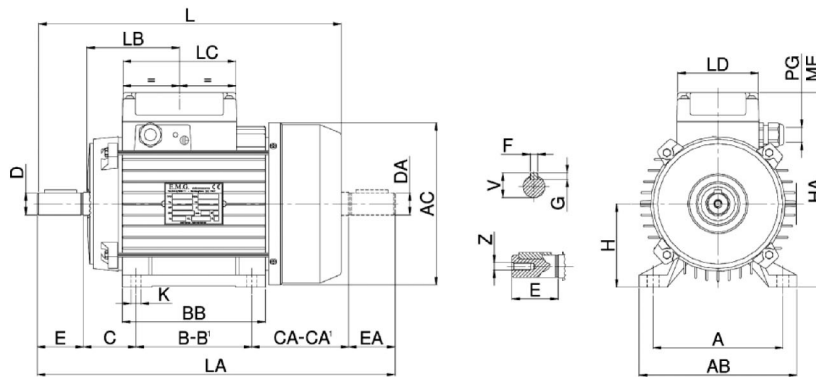


MOTORE STANDARD DIMENSIONI IM B3 NORMALI E BI-ALBERO

Alla stessa categoria appartengono anche le forme costruttive B6, B7, B8, V5, V6.

SINGLE AND DOUBLE SHAFT END STANDARD MOTOR IM B3 DIMENSIONS

The types of installation B6, B7, B8, V5, V6 belong to the same category.



IM B3

MEC	INGOMBRO / OVERALL (mm)							PIEDI / FEET (mm)					ALBERO / SHAFT (mm)					COPERCHIO / TERMINAL-BOX (mm)				
	H	HA	L	LA	C	AC	CA/CA'	AB	BB	A	B/B'	K	D/DA	E/EA	V	Z	LB	LC	LD	ME	PG	
56	56	144	188	208	35	112	61	107	90	90	71	6	9	20	10,2	M 4	70	90	79	M12	9	
63	63	158	207	230	38	127	65	120	100	100	80	7	11	23	12,5	M 4	78	101	79	M16	-	
71	71	175	243	273	45	145	78	135	109	112	90	7	14	30	16	M 5	90	111	79	M16	-	
80	80	195	280	326	51	159	95	152	125	125	100	9	19	40	21,5	M 6	101	123	88	M20	-	
90S	90	210	305	360	56	177	105	170	131	140	100	10	24	50	27	M 8	102	123	88	M20	-	
90L	90	210	330	386	56	177	105	170	155	140	125	10	24	50	27	M 8	104	123	88	M20	-	
100L	100	234	363	432	61	193	111	192	171	160	140	12	28	60	31	M 10	92	90	90	M25	16	
112M	112	262	383	460	68	220	115	220	183	190	140	13	28	60	31	M 10	104	112	112	M25	16	
132S	132	310	458	552	87	260	165	260	180	216	140	13	38	80	41	M 12	111	112	112	M25/32	16/21	
132M	132	310	497	592	87	260	165	260	218	216	178	13	38	80	41	M 12	111	112	112	M25/32	16/21	
160M	160	383	563	742	111	310	201	318	261	254	210	14	42	110	45	M 16	144	141	141	32	21	
160L	160	383	607	786	111	310	201	318	305	254	254	14	42	110	45	M 16	144	141	141	32	21	
180	180	418	698	833	123	350	249/211	356	322	279	241/279	15	48	110	51.5	M 16	158	141	141	/	29	

TOLLERANZE / TOLERANCES

QUOTA / QUOTE	DIMENSIONE / SIZE	TOLLERANZA / TOLERANCE
D(DA)	da 11 a 28mm from 11 to 28mm	j 6
	38mm	h 5
	da 42 a 48mm	k 6
N	Tutte / All	j 6
H	Tutte / All	±0,5mm
TOLLERANZE / TOLERANCES MEC160 M/L		
D (DA)	42-48mm	k 6
N	Tutte / All	j 6